

# DMS 3000 NEST / BUS BOARD Connections

Golding Audio Ltd  
 Unit 8  
 Peartree Business Centre  
 Stanway Colchester  
 Essex CO3 5JN  
 Tel: 01206 762462 Fax: 01206 762633  
 Web Site: www.goldingaudio.co.uk

## DMS3000 V2

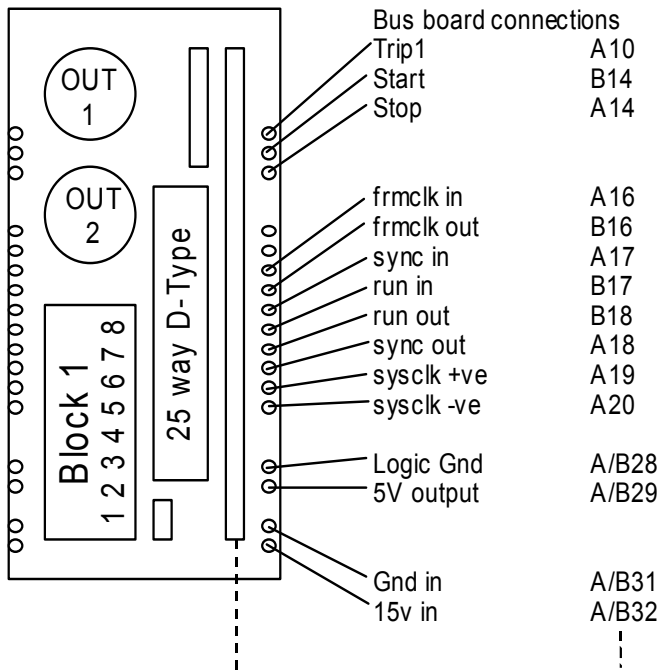
Digital Audio Playback System

### NEST UNIT SYSTEM

When multiple sound stores are required, boards can be housed in a 3U nest unit. All required connections are presented to a bus board as detailed below.

### Bus board connections

#### DMS 3000 BUS BOARD CONNECTIONS.



A full detailed description of connections is available in the DMS 3000 and DMS 3000-Lite DATA SHEETS

### 25 Way D-Type DMS3000 Trips / Control

- |                             |                              |
|-----------------------------|------------------------------|
| Pin 1 - Trip Line 2         | Pin 14 - Trip Line 1         |
| Pin 2 - Trip Line 4         | Pin 15 - Trip Line 3         |
| Pin 3 - Trip Line 6         | Pin 16 - Trip Line 5         |
| Pin 4 - Trip Line 8         | Pin 17 - Trip Line 7         |
| Pin 5 - <u>Binary START</u> | Pin 18 - STOP                |
| Pin 6 - <u>RS485TX+ CH2</u> | Pin 19 - <u>RS485TX- CH2</u> |
| Pin 7 - <u>CLK OUT</u>      | Pin 20 - <u>CLK IN</u>       |
| Pin 8 - <u>RUN IN</u>       | Pin 21 - <u>SYNC IN</u>      |
| Pin 9 - RUN OUT             | Pin 22 - <u>SYNC OUT</u>     |
| Pin 10 - <u>CONTROL OUT</u> | Pin 23 - <u>RS485RX+ CH1</u> |
| Pin 11 - +12v in/out        | Pin 24 - <u>RS485RX- CH1</u> |
| Pin 12 - GND                | Pin 25 - +12v in/out         |
| Pin 13 - GND                |                              |

**Items underlined are not available on DMS xxxxx Lite models.**

### BLOCK1 = 8way screw type terminal block.

- |                     |                   |
|---------------------|-------------------|
| Pin 1 - +12v in/out | Pin 5 Trip Line 2 |
| Pin 2 - Gnd in      | Pin 6 Control Out |
| Pin 3 - Gnd         | Pin 7 START       |
| Pin 4 - Trip Line 1 | Pin 8 STOP        |

### Line out & 8Watt output systems.

Audio Outputs OUT1 and OUT2 (1/4" Mono Jack)  
 When configured to line level.

TIP = Line positive  
 BASE = Line ground

When configured for onboard amplifier output.

TIP = Speaker positive  
 BASE = Speaker ground

### 20Watt output systems.

OUT 1 (1/4" Mono jack)

TIP = Speaker positive  
 BASE = Speaker negative.

**Note. DO NOT ground either speaker line.**

### Synchronisation of Sound Stores (not lite)

A row of PCB PADS either side of the Bus Board are provided to link control signals from Board to Board for the synchronisation of sound stores as illustrated in the diagram below. Further information regarding synchronisation is available on the DMS 3000 Data Sheet.

